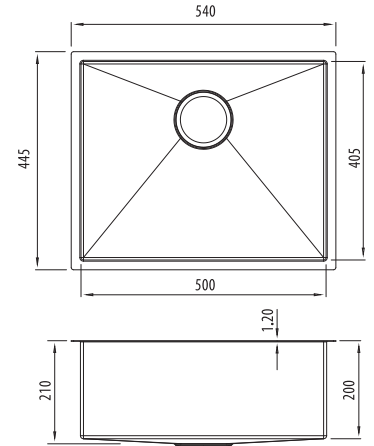


Spectra

SB50BK

Single Bowl Black Sink

All dimensions in mm



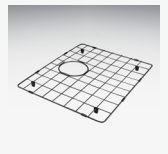
Specifications /

| | |
|--|--|
| Sink size | 540W x 445H mm |
| Bowl size | Large Bowl 500W x 405H x 200D / 40L |
| Construction | Fabricated with 5mm radius corners, Softtone® and soundproofing |
| Material | 304 grade, 18/10 brushed stainless steel (1.2 mm thick) |
| Installation | Topmount, undermount or flushmount |
| Fixings | Topmount clips supplied only |
| Min cabinet size | 600 mm |
| Tap holes | N/A |
| Waste fittings | 1 x 90 mm basket waste included |
| Overflow | Not available |
| Carton size | 640 x 540 x 330 mm |
| Weight | 16 kg |
| Warranty | Lifetime manufacturer's warranty (refer to oliveri.com.au) |
| Maintenance and care instructions | All surfaces should be cleaned with mild liquid detergent or soap and water. To maintain the shine on your Oliveri stainless steel sink, we recommended the use of any of the easy to obtain, non-abrasive stainless steel cleaners or metal polishes. |

Included accessories /



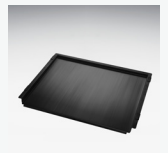
ACBWBK
Basket Waste



ACBPK-1
Bowl Protector



ACP104F
Bamboo Board



ACP109BK
Bench Top
Drainer Tray