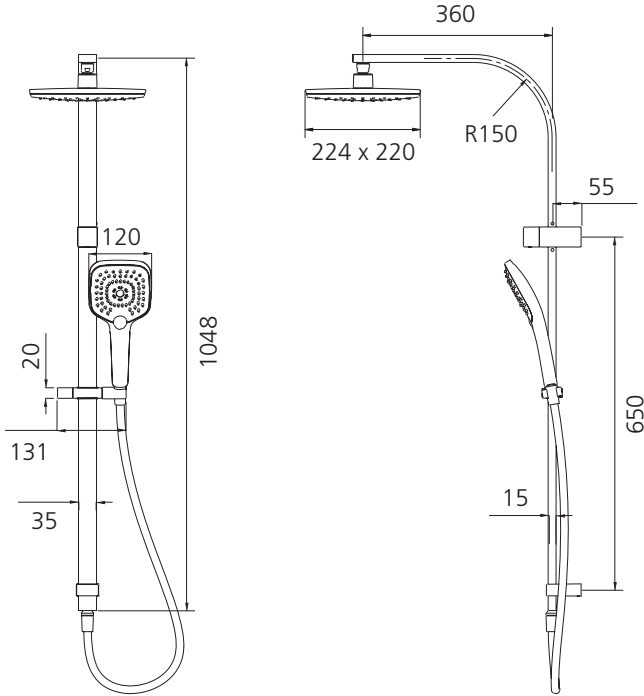


Monaco

MO36342BN

Brushed Nickel Dual Shower Set

All dimensions in mm



Specifications /

WELs rating	3 Stars, 9 L per minute
Temperature rating (min / max)	1°C - 65°C
Pressure rating (min / max)	150 kPa - 500 kPa
Finish	Brushed nickel (PVD)
Shower head functions	Three spray functions (hand shower)
Materials	Brass/ABS Plastic
Water supply	Mains
Connections	G 1/2 BSP
Mounting methods	Wall mounted
Product weight	3.45 kg
Parts List	Hand shower x 1, shower rose x 1, hose x 1, slider rail x 1
Warranty	15 years main body; 5 years finish; 5 years shower head, shower arm, plastic hand piece; 2 years hose, seals, o'rings; 1 year labour (see Oliveri website for full details)
Maintenance and care instructions	All surfaces should be cleaned with mild liquid detergent or soap and water. Do not use cream cleaners or citrus based cleaning products, as they are abrasive. Use of unsuitable cleaning agents may damage the surface. Any damage caused in this way will not be covered by warranty.