

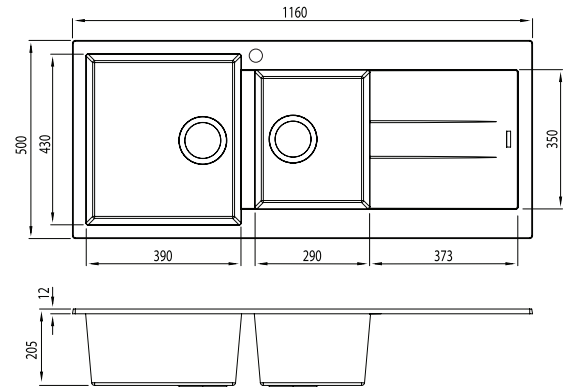
Santorini

Italian made

All dimensions in mm

ST-WH1510 LHB

White 1 & 3/4 Bowl Topmount Sink With Drainer



Specifications /

| | |
|--|---|
| Sink size | 1160W x 500H mm |
| Bowl size | Main Bowl 1 400W x 430H x 210D / 36L 3/4 Bowl 295W x 350H x 210D / 21L |
| Construction | Moulded granite |
| Material | 80% granite and quartz particles and 20% acrylic |
| Installation | Topmount |
| Fixings | Topmount clips supplied |
| Min cabinet size | 800 mm |
| Tap holes | One tap hole only |
| Waste fittings | 2 x 90 mm basket wastes included |
| Overflow | Not available |
| Carton size | 1260 x 290 x 320 mm |
| Weight | 19 kg |
| Warranty | Lifetime manufacturer's warranty (refer to oliveri.com.au) |
| Maintenance and care instructions | Clean the sink regularly with warm water, a liquid detergent and a soft cloth. Do not use abrasive powders or creams and avoid chemically aggressive detergents. Generic stains should be removed immediately with very hot water and a cleaning product. For organic stains which are especially difficult to remove, it is recommended that you fill the sink with a highly diluted organic cleaner such as bleach and let stand overnight. The next morning, rinse with warm water and a soft cloth. |

Included accessories /



AC28
Basket Waste



AC28
Basket Waste