

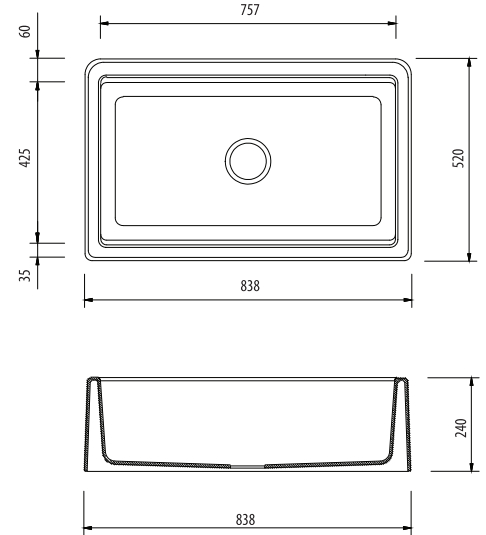
Santorini

Italian made

All dimensions in mm

ST-WH1584U

White Farmhouse Undermount Sink



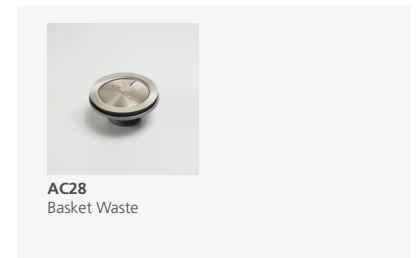
REVERSIBLE SINK

Can be installed with a narrow front and edge radius of 18mm or wider front with a 40mm edge radius depending on the kitchen style.

Specifications /

Sink size	838W x 520H mm
Bowl size	Farmhouse Bowl 757W x 425H x 240D / 74L
Construction	Moulded granite
Material	80% granite and quartz particles and 20% acrylic
Installation	Undermount
Fixings	Available on request
Reversible	Yes (for choice of sink front edge style)
Min cabinet size	900 mm
Tap holes	N/A
Waste fittings	1 x 90 mm basket waste included
Overflow	Not available
Carton size	945 x 665 x 330 mm
Weight	20.5 kg
Warranty	Lifetime manufacturer's warranty (refer to oliveri.com.au)
Maintenance and care instructions	Clean the sink regularly with warm water, a liquid detergent and a soft cloth. Do not use abrasive powders or creams and avoid chemically aggressive detergents. Generic stains should be removed immediately with very hot water and a cleaning product. For organic stains which are especially difficult to remove, it is recommended that you fill the sink with a highly diluted organic cleaner such as bleach and let stand overnight. The next morning, rinse with warm water and a soft cloth.

Included accessories /



Optional accessories /

