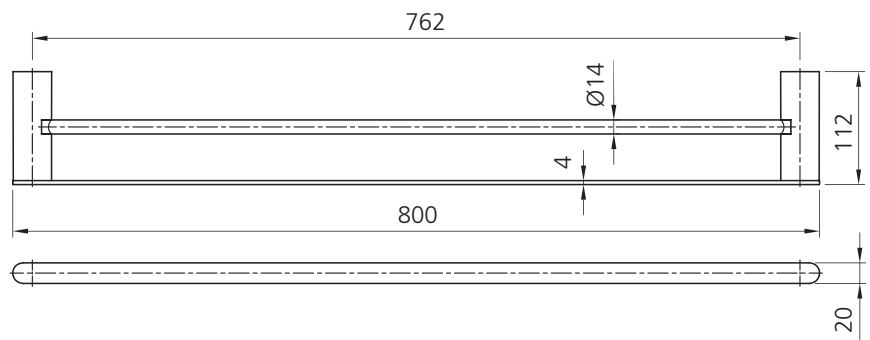


Madrid

MA830B26CR

Chrome Double Towel Rail 800mm



Specifications /

Materials	Zinc alloy / brass / stainless steel
Finish	Chrome (electroplating)
Mounting method	Wall mounting, four point fixing
Parts list	Towel rail, fixing set
Warranty	7 years parts and finish, 1 year labour (see Oliveri website for full details)
Maintenance and care instructions	All surfaces should be cleaned with mild liquid detergent or soap and water. Do not use cream cleaners or citrus based cleaning products, as they are abrasive. Use of unsuitable cleaning agents may damage the surface. Any damage caused in this way will not be covered by warranty.