



www.oliverisinks.com

Tapware | The perfect partner

Oliveri tapware has been selected from the world's finest manufacturers. In order to wear the Oliveri signature it must be of the highest quality, elegant in design and functional. The taps are carefully chosen to complement the clean lines of your Oliveri sink while performing with the utmost reliability when connected to a variety of hot and cold water systems.

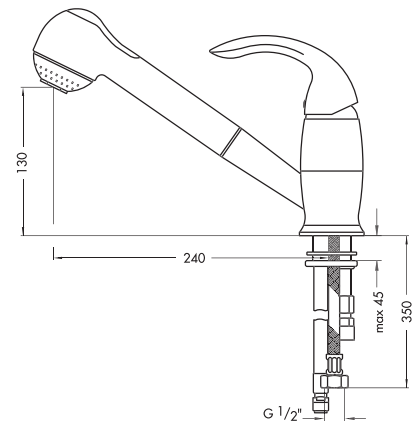
Versatile and practical

Rinse efficiently in spray mode; reach effortlessly with the extendable neck.



MV617/6 extendable spray head mixer

From washing vegetables to filling large pots, the Oliveri MV617/6 is a kitchen essential. This European made mixer tap features an extendable shower head that delivers either spray or stream at the flick of a button. It also includes a clever 'soft opening' device which reduces splashes. Like all Oliveri tapware, it is of the highest quality, elegant in design and functional, sourced from one of the world's finest manufacturers.

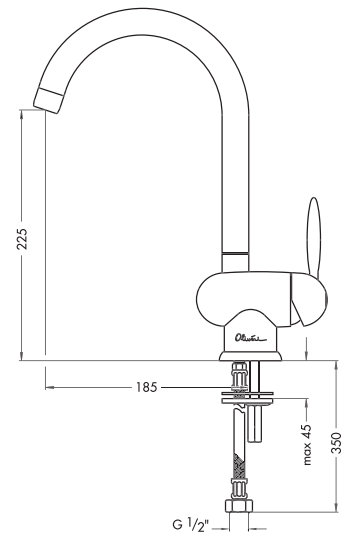


Oliveri mixer taps have a WELS 3 star water efficiency rating, 9.0 l/m.



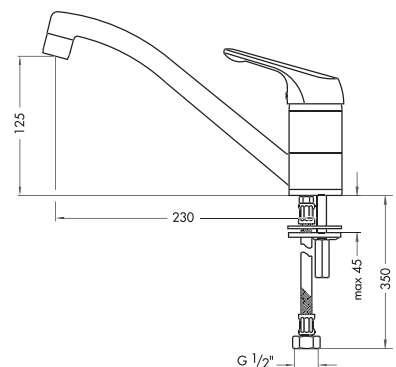
MG513 mixer tap with gooseneck spout

This tall, elegant mixer tap has smooth curves to accompany the modern design of the larger Oliveri sinks. A generous spout height allows plenty of room to get the biggest roasting dish underneath, while the simple one-touch control lever responds instantly to your command. This European-made beauty will further enhance the finest Oliveri sinks.



PS113/1 single lever sink mixer

This timeless design incorporates a generous reach swivelling spout with a handle that is smooth and light to operate as well as being easy to keep clean. Finished in bright chrome, this European-made mixer tap is very much at home on any Oliveri sink. The subtle Oliveri signature on the control handle is your sign of quality.



Oliveri Tapware is only available from selected outlets and is suitable for mains pressure water systems.