

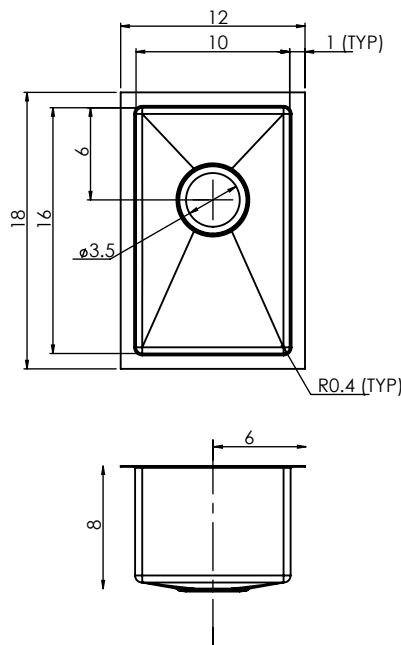


Model No:
1160U
Professional Series
 UNDERMOUNT SINK

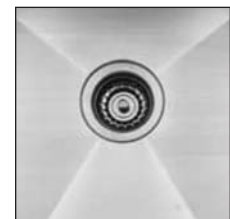
www.oliverisinks.com



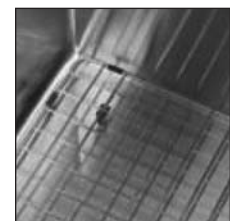
Model No: **1160U**
DIMENSIONS



INCLUDED ACCESSORIES



Basket Waste x1



Basin Protector

MATERIAL

Stainless Steel
 304 Grade
 16 Gauge

CONSTRUCTION

Fabricated bowl with
 1/2" (10mm) internal
 radius corners

SHIPPING WEIGHT

(Packed)
 13lb

INSTALLATION METHOD

Designed to be
 undermounted into
 a counter

CABINET

Minimum
 15"



Head Office
 Tasman Sinkware Pty Ltd
 51 Naweena Rd, Regency Park
 South Australia, 501
 AUSTRALIA

North America
 1230 Railroad St
 Corona CA 92882
northamerica@oliverisinks.com

This sink is fabricated by a
 partner supplier according to
 Tasman Sinkware's specifications
 and quality standards