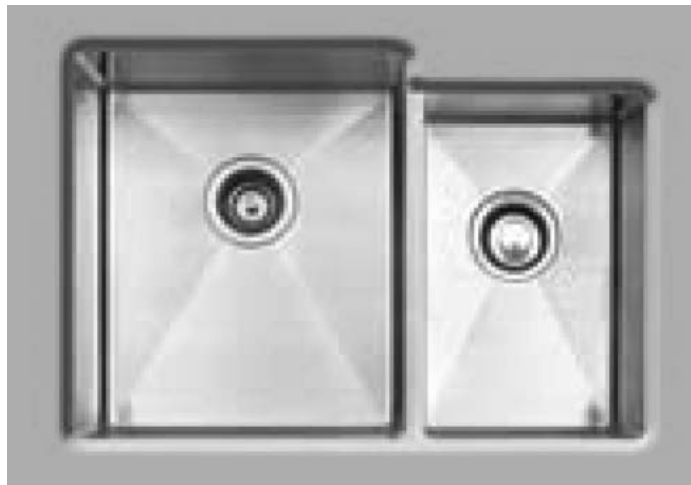


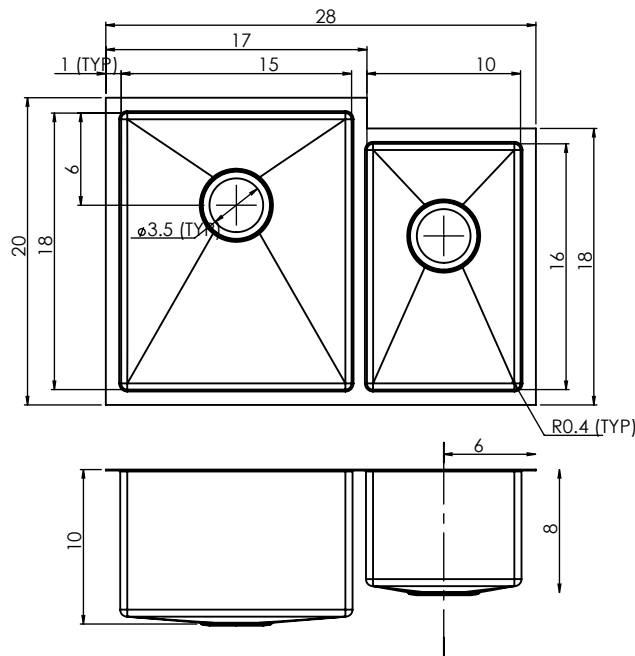


Model No:
1183U
Professional Series
 UNDERMOUNT SINK

www.oliverisinks.com



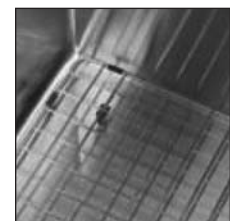
Model No: **1183U**
DIMENSIONS



INCLUDED ACCESSORIES



Basket Waste x 2



Basin Protectors x 2

| | | | | |
|---|---|--|--|----------------------------------|
| MATERIAL Stainless Steel 304 Grade 16 Gauge | CONSTRUCTION Fabricated bowl with 1/2" (10mm) internal radius corners | SHIPPING WEIGHT (Packed) 33lb | INSTALLATION METHOD Designed to be undermounted into a counter | CABINET Minimum 30" |
|---|---|--|--|----------------------------------|



Head Office
 Tasman Sinkware Pty Ltd
 51 Naweena Rd, Regency Park
 South Australia, 501
 AUSTRALIA

North America
 1230 Railroad St
 Corona CA 92882
northamerica@oliverisinks.com

This sink is fabricated by a partner supplier according to Tasman Sinkware's specifications and quality standards