



www.oliverisinks.com



Model No:

833-X & 834-X

X=Faucet Holes
see Tapping Guide below

TOP MOUNT SELF-RIM SINK



INCLUDED ACCESSORIES



AC09 Basket Waste x 1

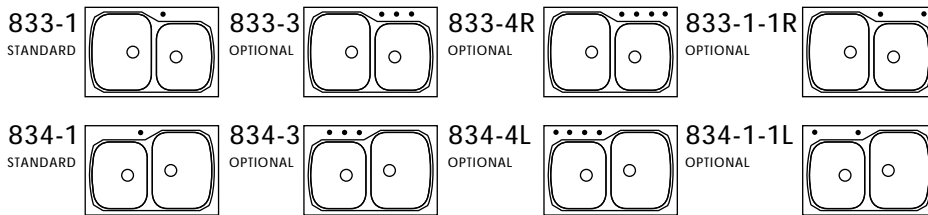


AC72W 'D' Colander



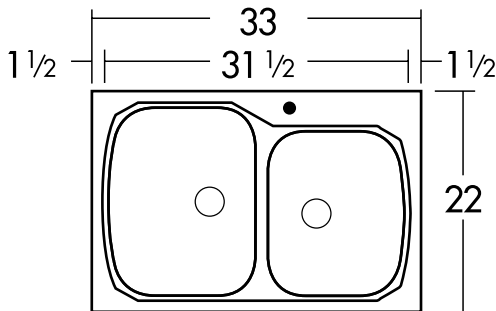
AC24 Synthetic Preparation Board

Faucet Tapping Guide:



Model No. 833-1

DIMENSIONS



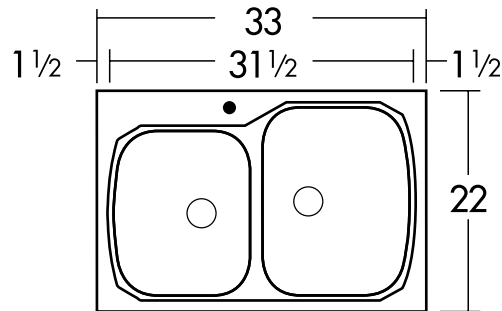
Gourmet Basin
14³/₄ x 19 x 10" deep
10.3 Gallon Capacity



Maxi Basin 1
13³/₄ x 16¹/₂ x 8" deep
6.2 Gallon Capacity

Model No. 834-1

DIMENSIONS



Gourmet Basin
14³/₄ x 19 x 10" deep
10.3 Gallon Capacity



Maxi Basin 1
13³/₄ x 16¹/₂ x 8" deep
6.2 Gallon Capacity

MATERIAL	CONSTRUCTION	SHIPPING WEIGHT	INSTALLATION METHOD	CABINET
Stainless Steel 304 Grade 18 Gauge	Individual bowls welded into rim	(Packed) 30.9 lb	Counter Cutout Size 32 ¹ / ₄ x 21 ¹ / ₄ " Includes Installation Clips Designed to be top mounted into a counter	Minimum 36"



Head Office &
Manufacturing Plant
Tasman Sinkware Pty Ltd
51 Naweena Road, Regency Park
South Australia 5010 AUSTRALIA

US Office
PO Box 11120
Wilmington NC 28405
Email contact
tasmansink@aol.com

Manufactured in Australia
to highest quality standards.
Tasman Sinkware is Quality
Endorsed to ISO 9001-2000.