



www.oliverisinks.com



Model No:
885U & 886U
DOWN UNDER MOUNT SINK



INCLUDED ACCESSORIES



AC09 Basket Waste x 1



AC75 Basin Protector



AC72W 'D' Colander



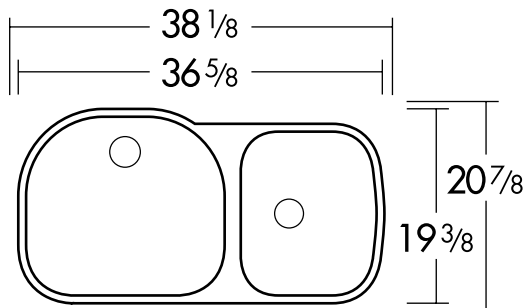
AC24 Synthetic Preparation Board



Undermount CAD files (DXF & DWG format) can be downloaded from our web site www.oliverisinks.com

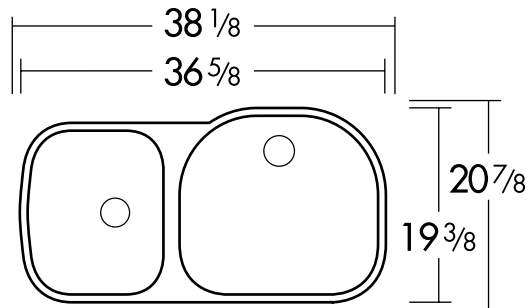
Model No: **885U**

DIMENSIONS



Model No: **886U**

DIMENSIONS



Super Basin
20 x 18 x 10" deep
12.7 Gallon Capacity



Maxi Basin 1
13 3/4 x 16 1/2 x 8" deep
6.2 Gallon Capacity



Super Basin
20 x 18 x 10" deep
12.7 Gallon Capacity



Maxi Basin 1
13 3/4 x 16 1/2 x 8" deep
6.2 Gallon Capacity

MATERIAL	CONSTRUCTION	SHIPPING WEIGHT	INSTALLATION METHOD	CABINET
Stainless Steel 304 Grade 18 Gauge	Individual bowls welded into rim	(Packed) 33.1 lb	Includes Template and Installation Clips Designed to be under-mounted into a solid surface counter	Minimum 39"



Head Office & Manufacturing Plant
Tasman Sinkware Pty Ltd
51 Naweena Road, Regency Park
South Australia 5010 AUSTRALIA

US Office
PO Box 11120
Wilmington NC 28405
Email contact
tasmansink@aol.com

Manufactured in Australia to highest quality standards. Tasman Sinkware is Quality Endorsed to ISO 9001-2000.